



SERVICE BULLETIN

No. 703

Piper Aircraft Corporation

Lock Haven, Pennsylvania, U.S.A.

FAA DOA SO-1 Approved

March 4, 1981

S

Subject: Aileron Balance Weight Attachment
Inspection and Rework

Models Affected: Serial Numbers Affected:

PA-32-301 Saratoga	32-8006002 through 32-8006106
PA-32-301T Turbo Saratoga	32-8024001 through 32-8024052
PA-32R-301 Saratoga SP	32R-8013001 through 32R-8013139
PA-32R-301T Turbo Saratoga SP	32R-8029001 through 32R-8029110

Compliance Time:

PART I Within the next twenty five (25) hours of operation and each twenty five (25) hours thereafter, until PART II of this Service Release is accomplished.

PART II Within the next one hundred (100) hours of operation or to coincide with the next regularly scheduled inspection event, whichever occurs first.

Purpose:

Reports have been received of aileron balance weights becoming loose in the outboard leading edge of the aileron. The balance weights are attached to the outboard leading edge skin with two (2) machine screws and the skin may have cracks propagating near them.

If this condition exists and is left uncorrected, damage can occur to the outboard leading edge skin.

PART I of this Service Release provides instructions to inspect for skin cracks. PART II announces the availability of an Aileron Rework Kit to reinforce the Aileron Outboard Leading Edge Skin.

PART I

Instructions:

1. Check the left and right aileron outboard leading edge skins for cracks near the balance weight attachment screws.
 2. If skin is cracked around either balance weight attach screw, proceed to PART II of this Service Release.
 3. Make logbook entry of each inspection.
-

PART II

Instructions:

1. All instructions necessary to reinforce the aileron outboard leading edge skin are included in the Aileron Rework Kit, Piper Part Number 764 091V.
-

Material Required:

One (1) each Aileron Rework Kit, Piper Part Number 764 091V, per aircraft.

Availability of Parts:

Your Piper Field Service Facility.

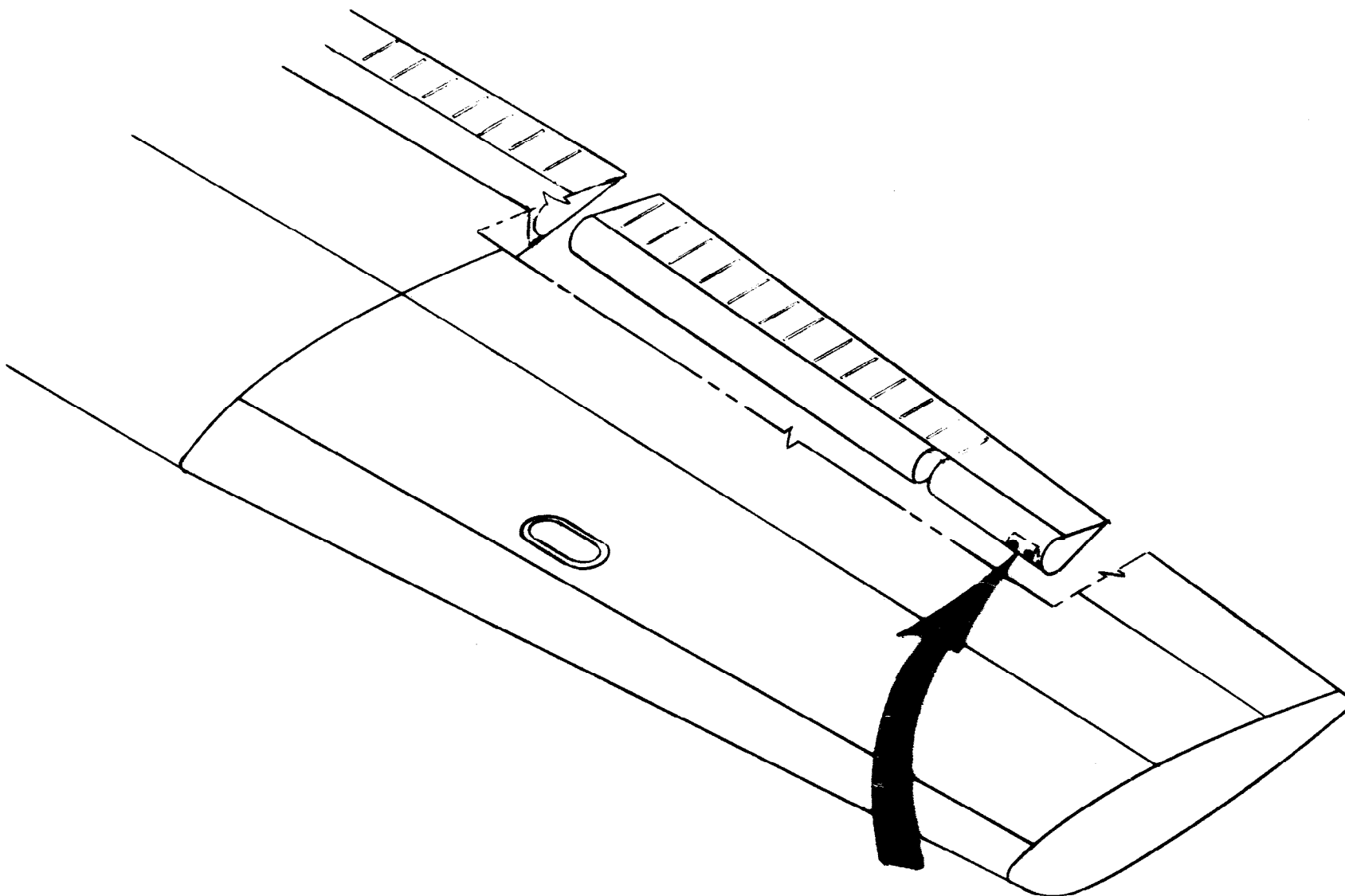
Effectivity Date:

This Service Release is effective upon receipt.

Summary:

Please contact your Piper Field Service Facility to make arrangements for compliance with this Service Release in accordance with the Compliance Times, indicated.

Any factory participation will remain in effect for a period of time not to exceed 180 days from the date of this Service Release.



INSPECT IN THIS AREA FOR CRACKS
ON LEFT AND RIGHT AILERONS.